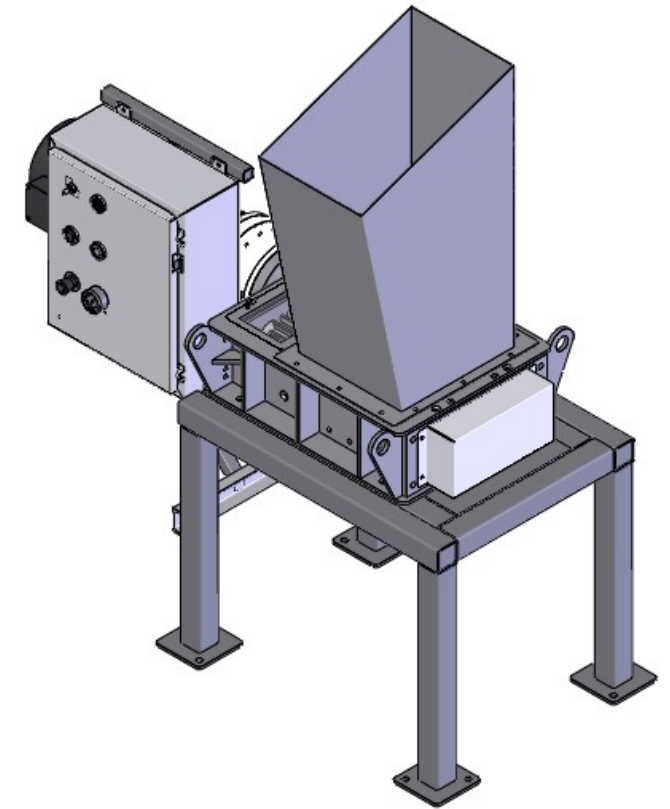
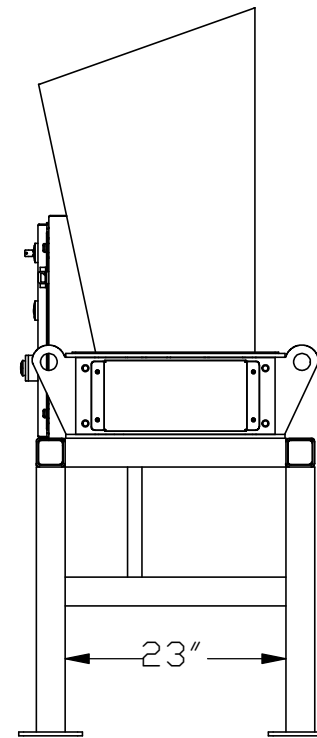
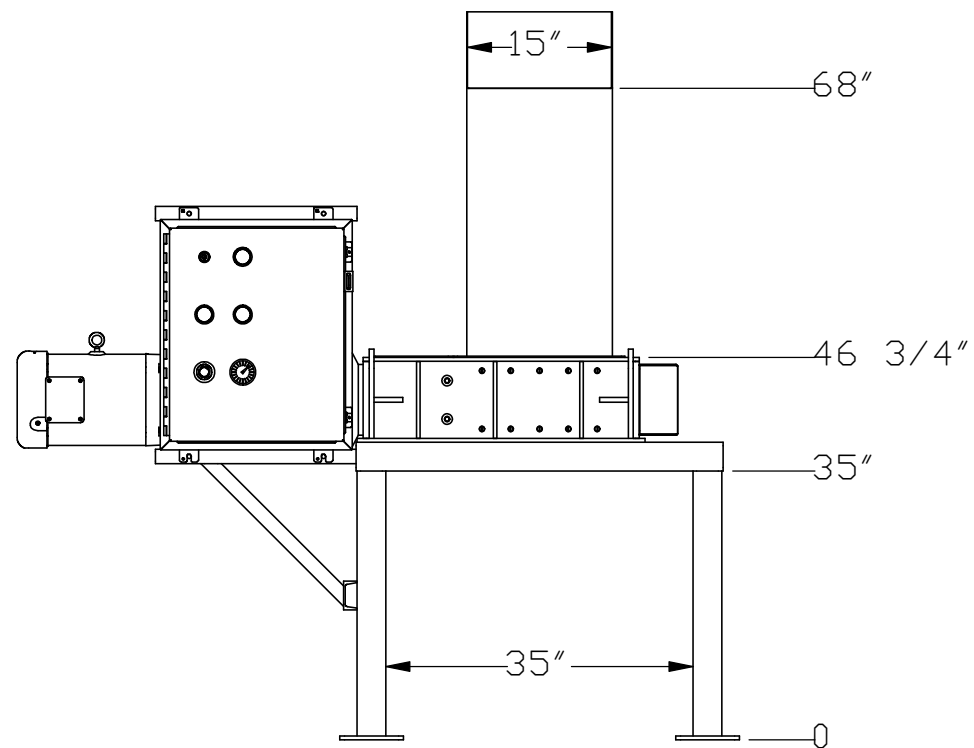
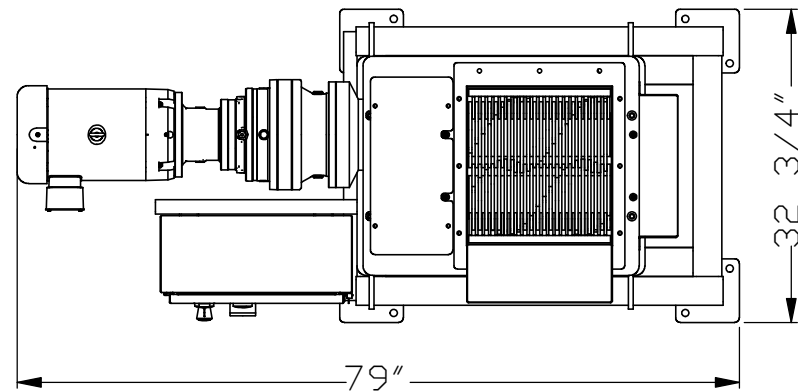


PROPRIETARY INFORMATION
 THIS DRAWING IS CONFIDENTIAL
 PROPERTY AND IS TRANSMITTED IN
 CONFIDENCE. THE REPRODUCTION,
 USE OR DISCLOSURE, IN WHOLE OR IN
 PART, OF THE DESIGN OR DETAILS
 CONTAINED HEREIN IS PROHIBITED
 WITHOUT EXPRESS WRITTEN
 PERMISSION. MAC MATERIAL
 ACQUISITION CO



21010
 NUMBER OF MOTORS: 1
 HORSEPOWER: 10, 15, OR 20HP ELECTRIC
 KNIFE DIAMETER: 8"
 SHAFT DIAMETER: 3" HEX, ALLOY STEEL
 CUTTING CHAMBER: 15"W X 15"L
 WEIGHT: 1500-1800 LBS SYSTEM TOTAL

SAFETY REVIEW

THE NEED FOR SAFETY DEVICES VARIES WITH EACH APPLICATION OF THIS PRODUCT. THIS DRAWING MAY NOT INCLUDE ALL APPROPRIATE SAFETY DEVICES FOR YOUR APPLICATION. AS SYSTEMS INTEGRATOR, PLEASE ADVISE YOUR CUSTOMER OF DEVICES THAT ARE APPROPRIATE FOR HIS/HER APPLICATION, BASED ON YOUR SAFETY ASSESSMENT. DEVICES MAY INCLUDE, BUT ARE NOT LIMITED TO THOSE SUCH AS, ADDITIONAL GUARDING, SAFETY CONTROLS, BARRICADES, END STOPS, ETC. COMPLIANCE WITH FEDERAL, STATE, OSHA AND LOCAL LAWS OR CODES ARE THE RESPONSIBILITY OF BOTH YOU, AS THE SYSTEMS INTEGRATOR/DISTRIBUTOR, AND THE END USER.

APPLICATION REVIEW

PLEASE REVIEW THE MACHINE DESIGN FOR ITS ABILITY TO FUNCTION PROPERLY IN YOUR INTENDED APPLICATION. SYSTEM INTEGRATION AND APPLICATION REVIEW ARE NOT THE RESPONSIBILITY OF MAC Material AcqCo. THEREFORE, MAC Materials AcqCo MAKES NO CLAIM AS TO THE PERFORMANCE OF THIS DESIGN FOR ANY PARTICULAR PURPOSE OR APPLICATION.

APPROVED
AS SHOWN AS NOTED
CO. NAME _____
SIGNATURE _____
DATE _____

PAINT COLOR:
PROFILE GRAY

JOB NO: 21010

DRAWN BY:

SCALE: N/A

TITLE:

APPROVAL