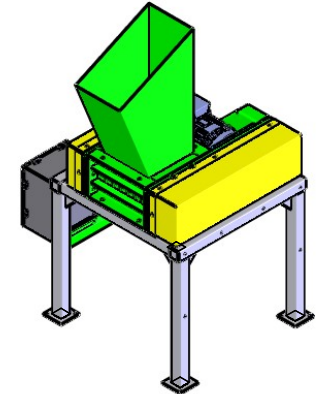
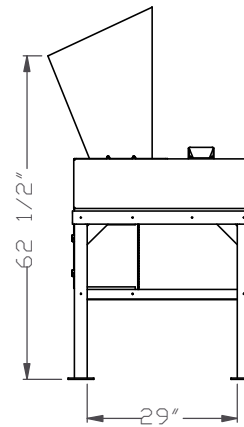
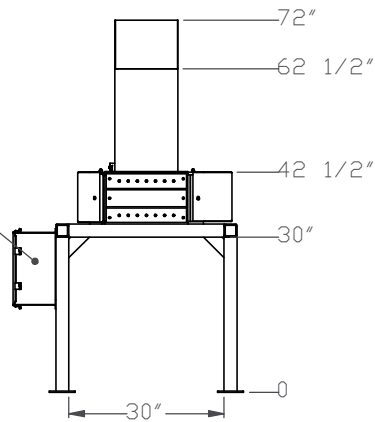


PROPRIETARY INFORMATION
 THIS DRAWING IS CONFIDENTIAL
 PROPERTY AND IS TRANSMITTED IN
 CONFIDENCE. THE REPRODUCTION,
 USE OR DISCLOSURE, IN WHOLE OR IN
 PART, OF THE DESIGN OR DETAILS
 CONTAINED HEREIN IS PROHIBITED
 WITHOUT EXPRESS WRITTEN
 PERMISSION. MAC MATERIAL
 ACQUISITION CO



PUSH BUTTON
 CONTROLS



21005 & 21003
 NUMBER OF MOTORS: 1
 DRIVE: 5HP or 3hp ELECTRIC
 VOLTAGE: 230 or 460 or 575V 60HZ 3 PHASE
 CUTTING CHAMBER 12" X 12"
 WEIGHT: 700 LB SYSTEM TOTAL

SAFETY REVIEW

APPLICATION REVIEW

THE NEED FOR SAFETY DEVICES VARIES WITH EACH APPLICATION OF THIS PRODUCT. THIS DRAWING MAY NOT INCLUDE ALL APPROPRIATE SAFETY DEVICES FOR YOUR APPLICATION. AS SYSTEMS INTEGRATOR, PLEASE ADVISE YOUR CUSTOMER OF DEVICES THAT ARE APPROPRIATE FOR HIS/HER APPLICATION, BASED ON YOUR SAFETY ASSESSMENT. DEVICES MAY INCLUDE, BUT ARE NOT LIMITED TO THOSE SUCH AS: ADDITIONAL GUARDING, SAFETY CONTROLS, BARRICADES, END STOPS, ETC. COMPLIANCE WITH FEDERAL, STATE, OSHA AND LOCAL LAWS OR CODES ARE THE RESPONSIBILITY OF BOTH YOU, AS THE SYSTEMS INTEGRATOR/DISTRIBUTOR, AND THE END USER.

PLEASE REVIEW THE MACHINE DESIGN FOR ITS ABILITY TO FUNCTION PROPERLY IN YOUR INTENDED APPLICATION. SYSTEM INTEGRATION AND APPLICATION REVIEW ARE NOT THE RESPONSIBILITY OF MAC Material AcqCo. THEREFORE MAC Material AcqCo MAKES NO CLAIM AS TO THE PERFORMANCE OF THIS DESIGN FOR ANY PARTICULAR PURPOSE OR APPLICATION.

APPROVED
 AS SHOWN AS NOTED
 CO. NAME _____
 SIGNATURE _____
 DATE _____

**PAINT COLOR:
 PROFILE GRAY**

JOB NO: _____
 DRAWN BY: _____
 SCALE: N/A
 TITLE: 5 & 3HP CANNABIS SHREDDER
APPROVAL _____

: APPROVAL DRAWING