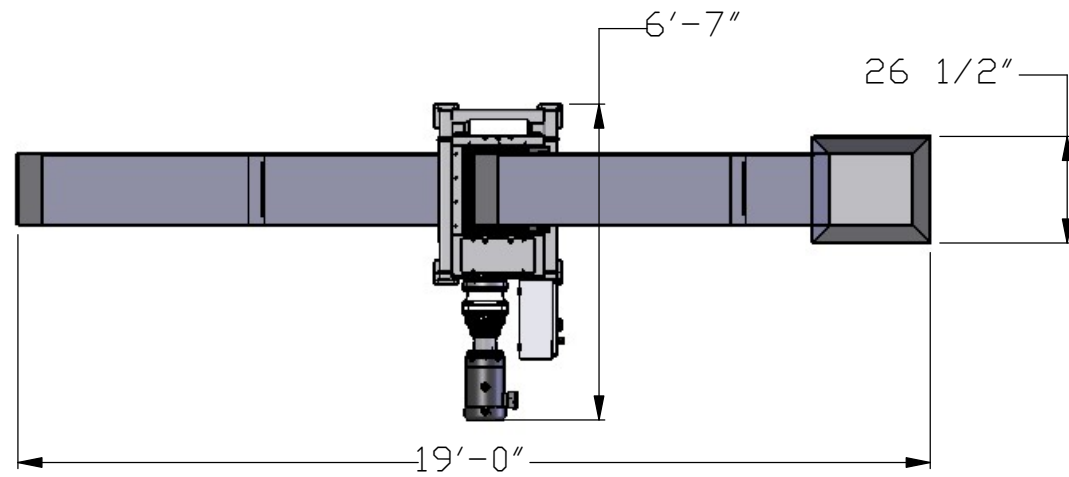
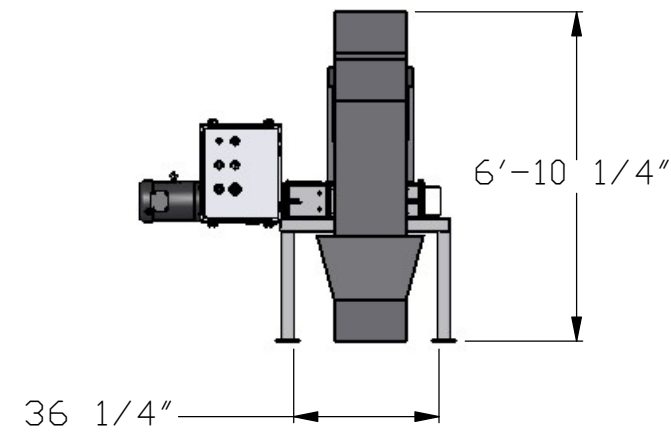
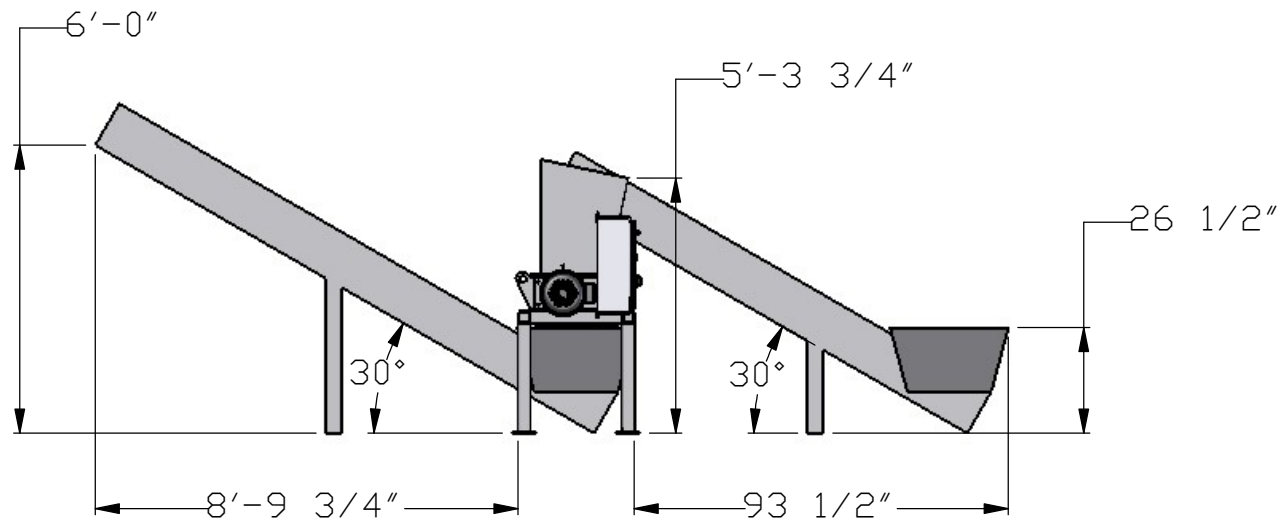
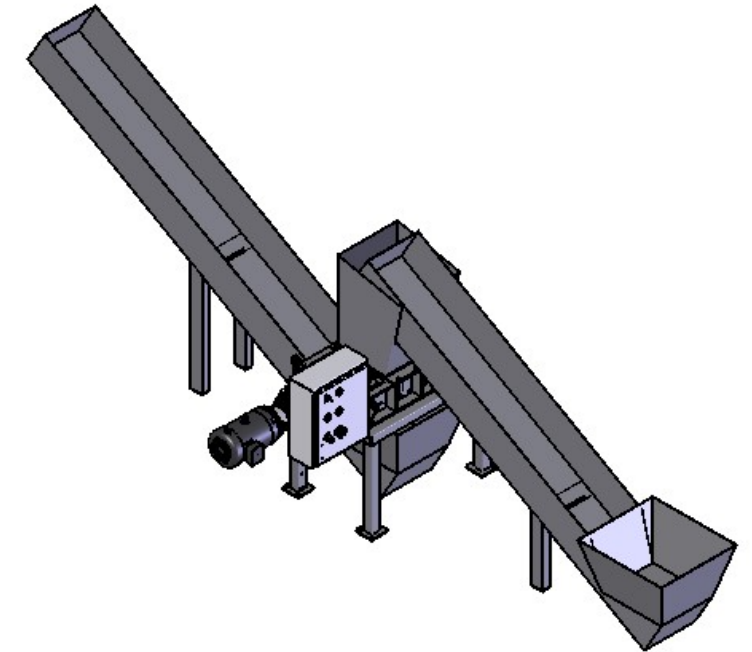


PROPRIETARY INFORMATION
 THIS DRAWING IS CONFIDENTIAL
 PROPERTY AND IS TRANSMITTED IN
 CONFIDENCE. THE REPRODUCTION,
 USE OR DISCLOSURE, IN WHOLE OR IN
 PART, OF THE DESIGN OR DETAILS
 CONTAINED HEREIN IS PROHIBITED
 WITHOUT EXPRESS WRITTEN
 PERMISSION. MAC MATERIAL
 ACQUISITION CO



**21010 DUAL SHAFT
 WITH INFEED AND OUTFEED**

NUMBER OF MTRS: 3
 HORSEPOWER: 20HP
 VOLTAGE: 460V
 CUTTER THICKNESS: 5/8"
 CUTTER DIAMETER: 8"
 SHAFT SIZE: 3" HEX ALLOY STEEL
 CUTTING CHAMBER: 16'W X 21'L
 FEED: HOPPERED CONVEYOR
 WASTE DISCHARGE: 6' CONVEYOR



SAFETY REVIEW

THE NEED FOR SAFETY DEVICES VARIES WITH EACH APPLICATION OF THIS PRODUCT. THIS DRAWING MAY NOT INCLUDE ALL APPROPRIATE SAFETY DEVICES FOR YOUR APPLICATION. AS SYSTEMS INTEGRATOR, PLEASE ADVISE YOUR CUSTOMER OF DEVICES THAT ARE APPROPRIATE FOR HIS/HER APPLICATION, BASED ON YOUR SAFETY ASSESSMENT. DEVICES MAY INCLUDE, BUT ARE NOT LIMITED TO THOSE SUCH AS, ADDITIONAL GUARDING, SAFETY CONTROLS, BARRICADES, END STOPS, ETC. COMPLIANCE WITH FEDERAL, STATE, OSHA AND LOCAL LAWS OR CODES ARE THE RESPONSIBILITY OF BOTH YOU, AS THE SYSTEMS INTEGRATOR/DISTRIBUTOR, AND THE END USER.

APPLICATION REVIEW

PLEASE REVIEW THE MACHINE DESIGN FOR ITS ABILITY TO FUNCTION PROPERLY IN YOUR INTENDED APPLICATION. SYSTEM INTEGRATION AND APPLICATION REVIEW ARE NOT THE RESPONSIBILITY OF MAC MATERIAL AcqCo. THEREFORE, MacMaterialAcqCo MAKES NO CLAIM AS TO THE PERFORMANCE OF THIS DESIGN FOR ANY PARTICULAR PURPOSE OR APPLICATION.

**APPROVED
 AS SHOWN
 CO. NAME _____**

SIGNATURE _____

DATE _____

**PAINT COLOR:
 PROFILE GRAY**

JOB NO:

DRAWN BY:

SCALE: N/A

TITLE: 10HP W/ IN&OUTFEED

APPROVAL